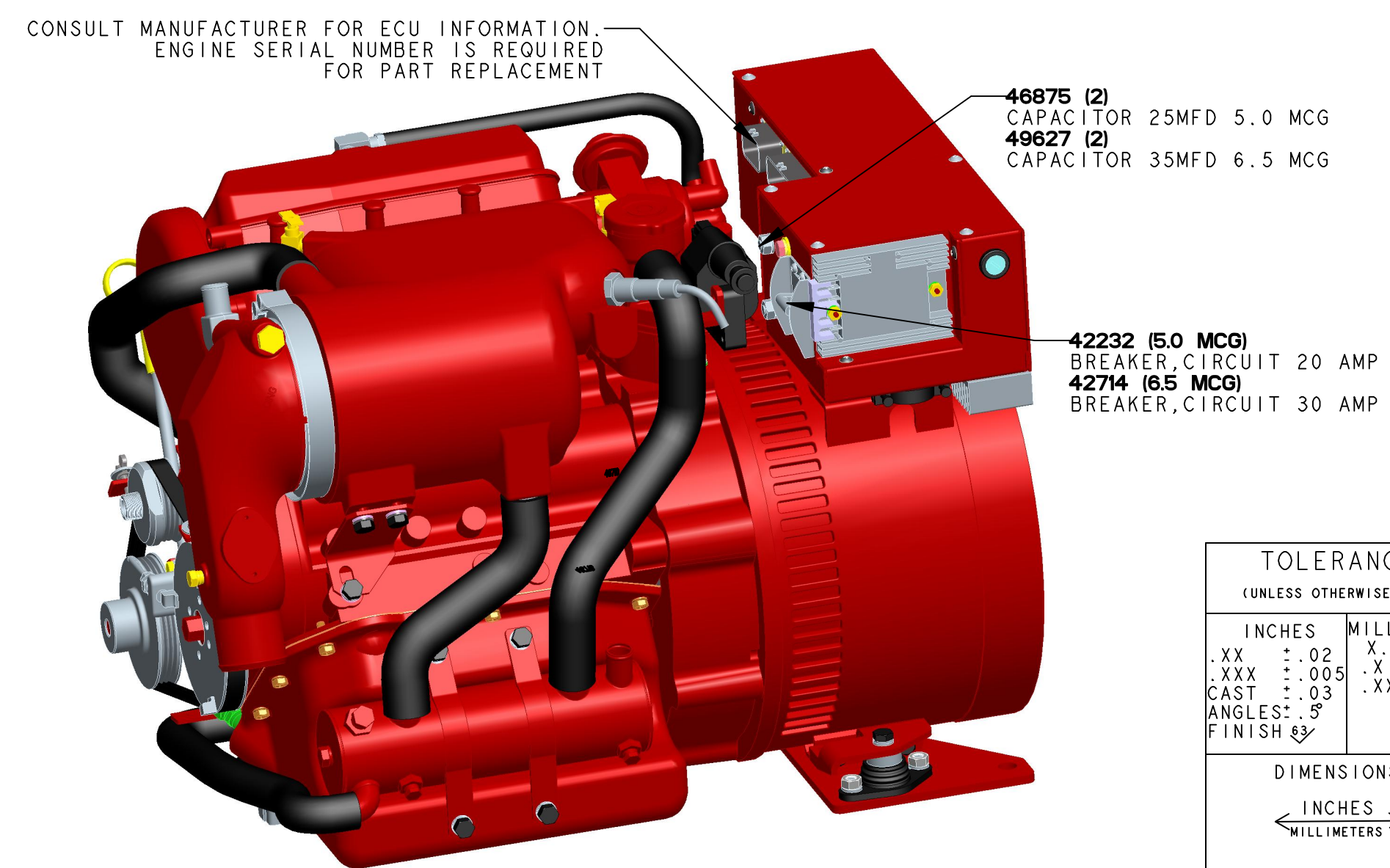
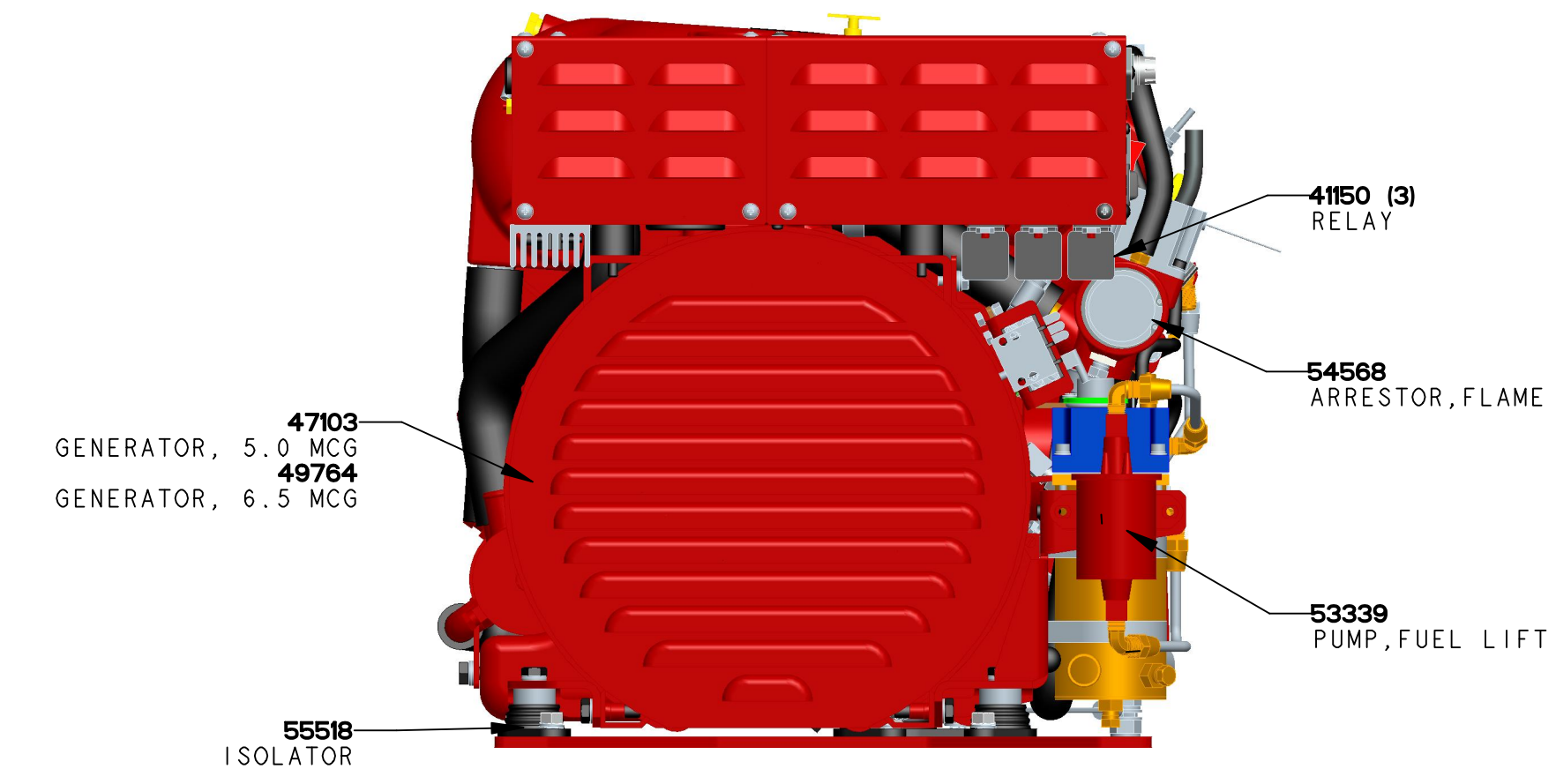
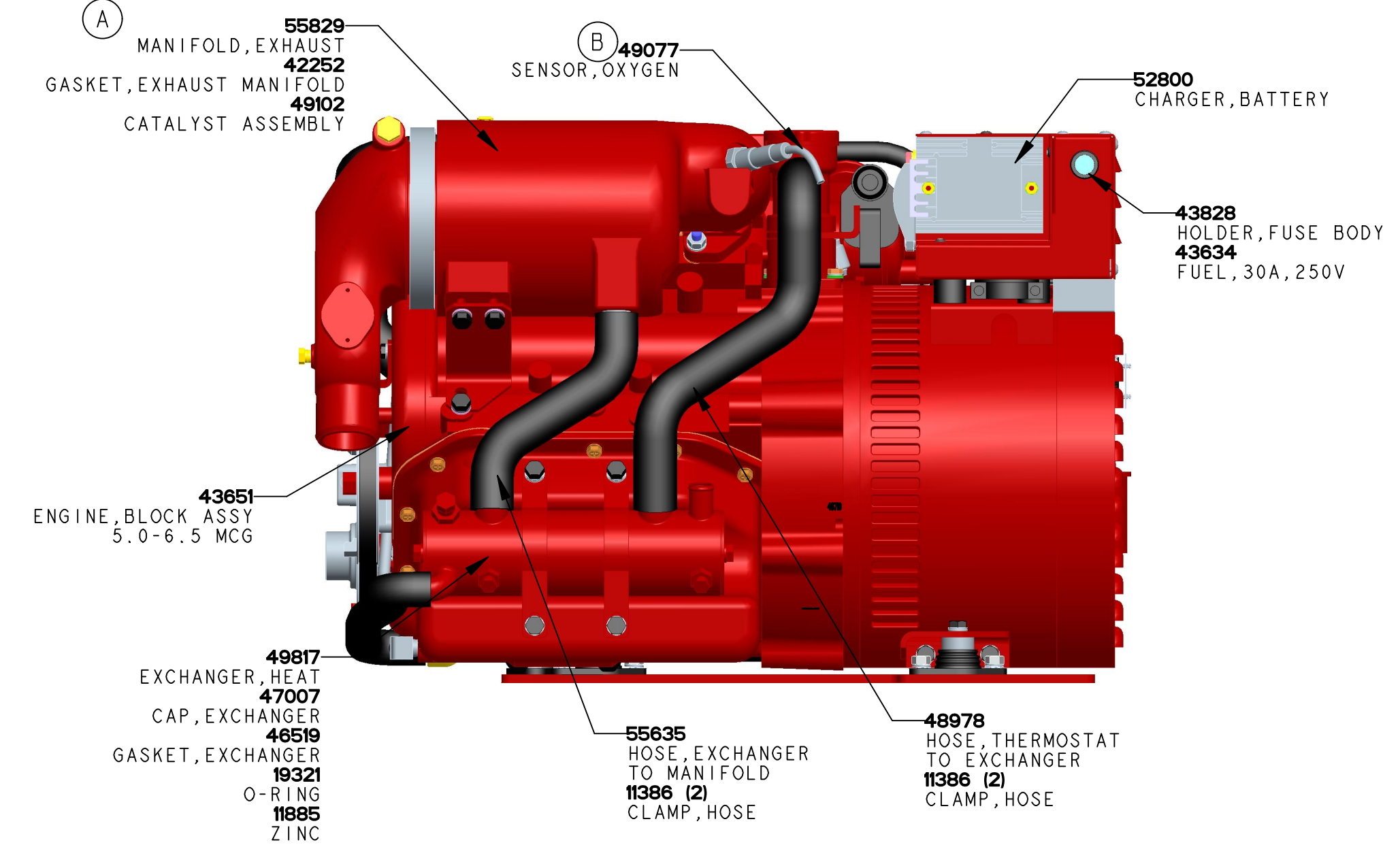
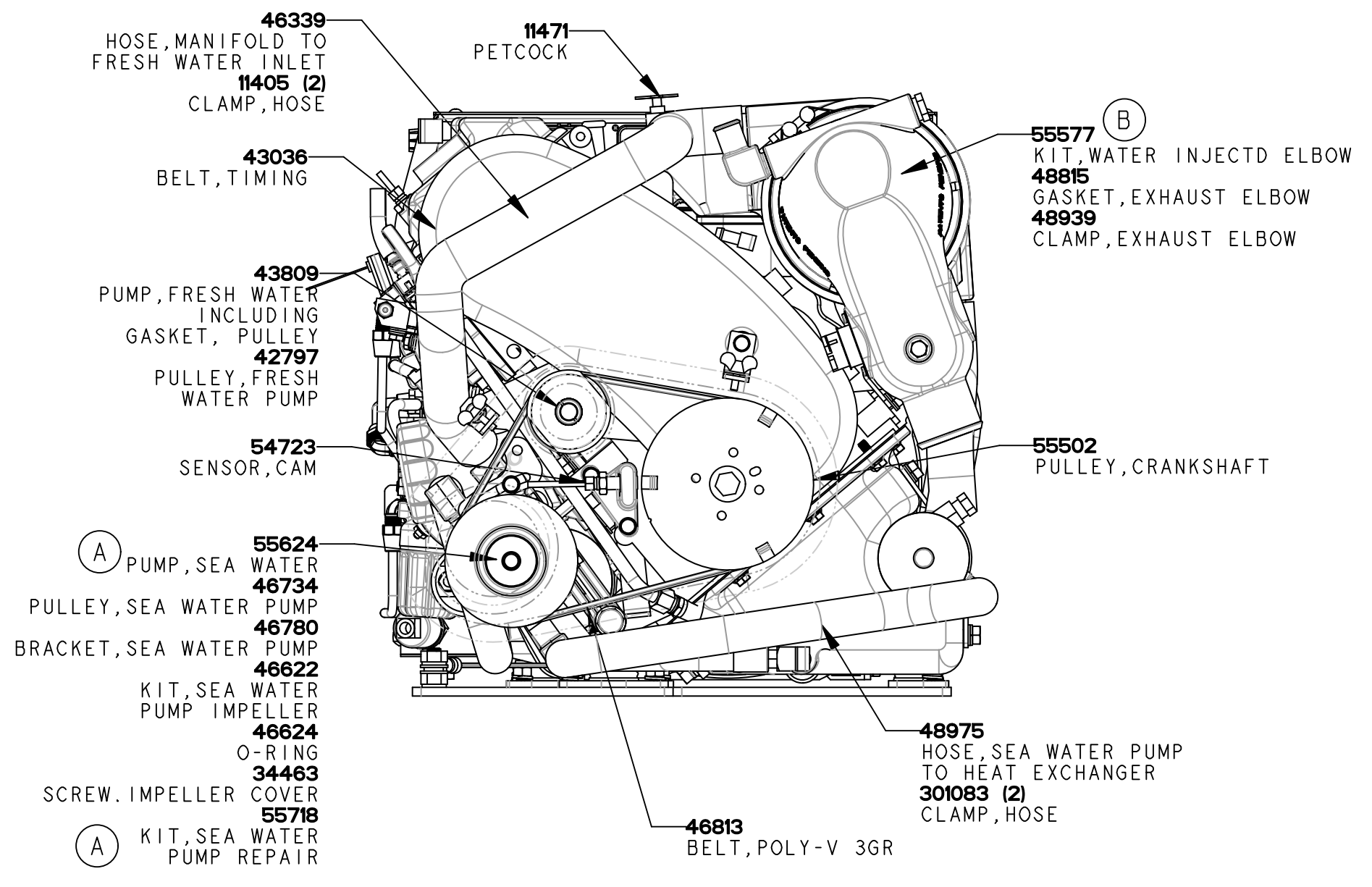
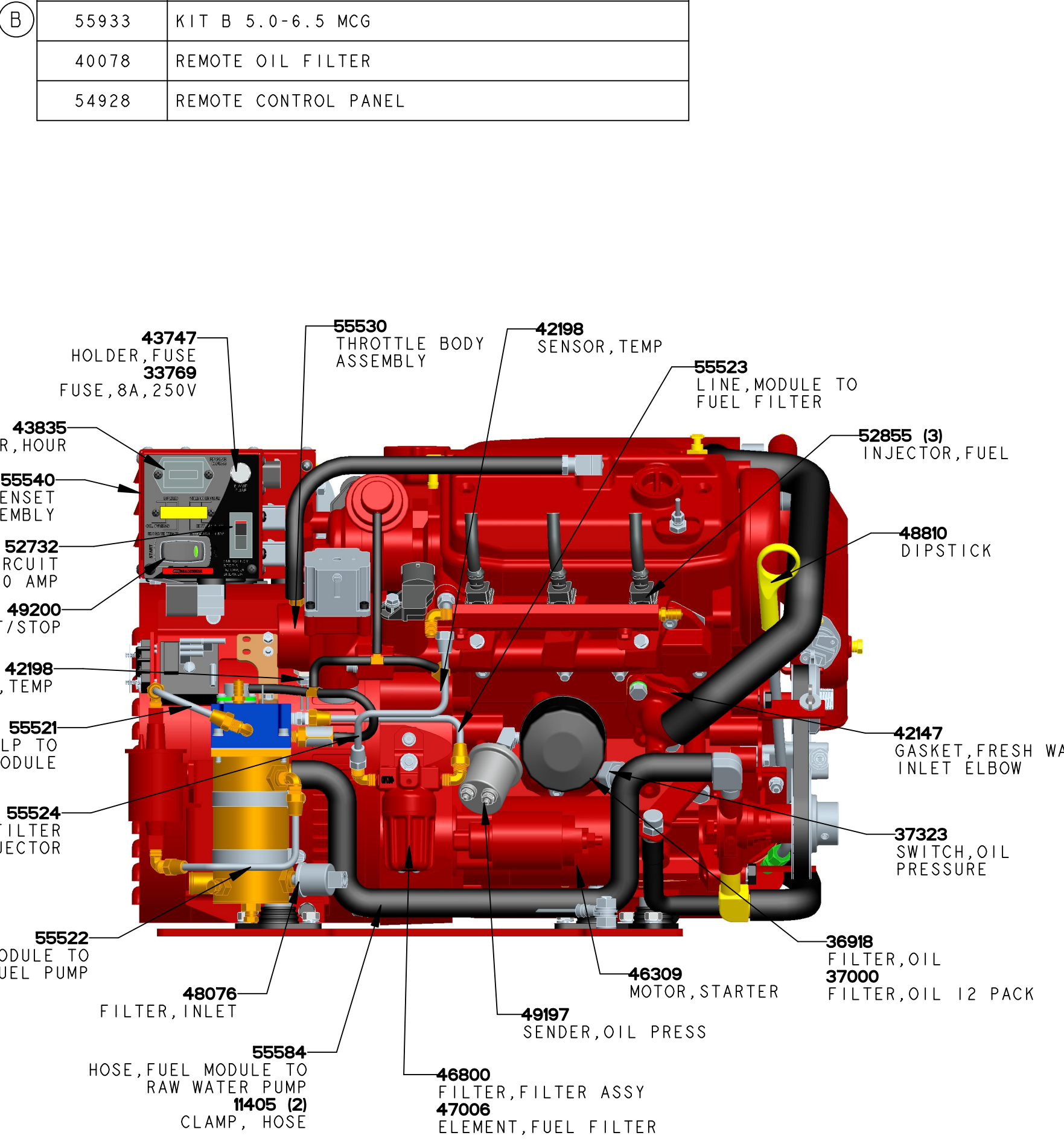
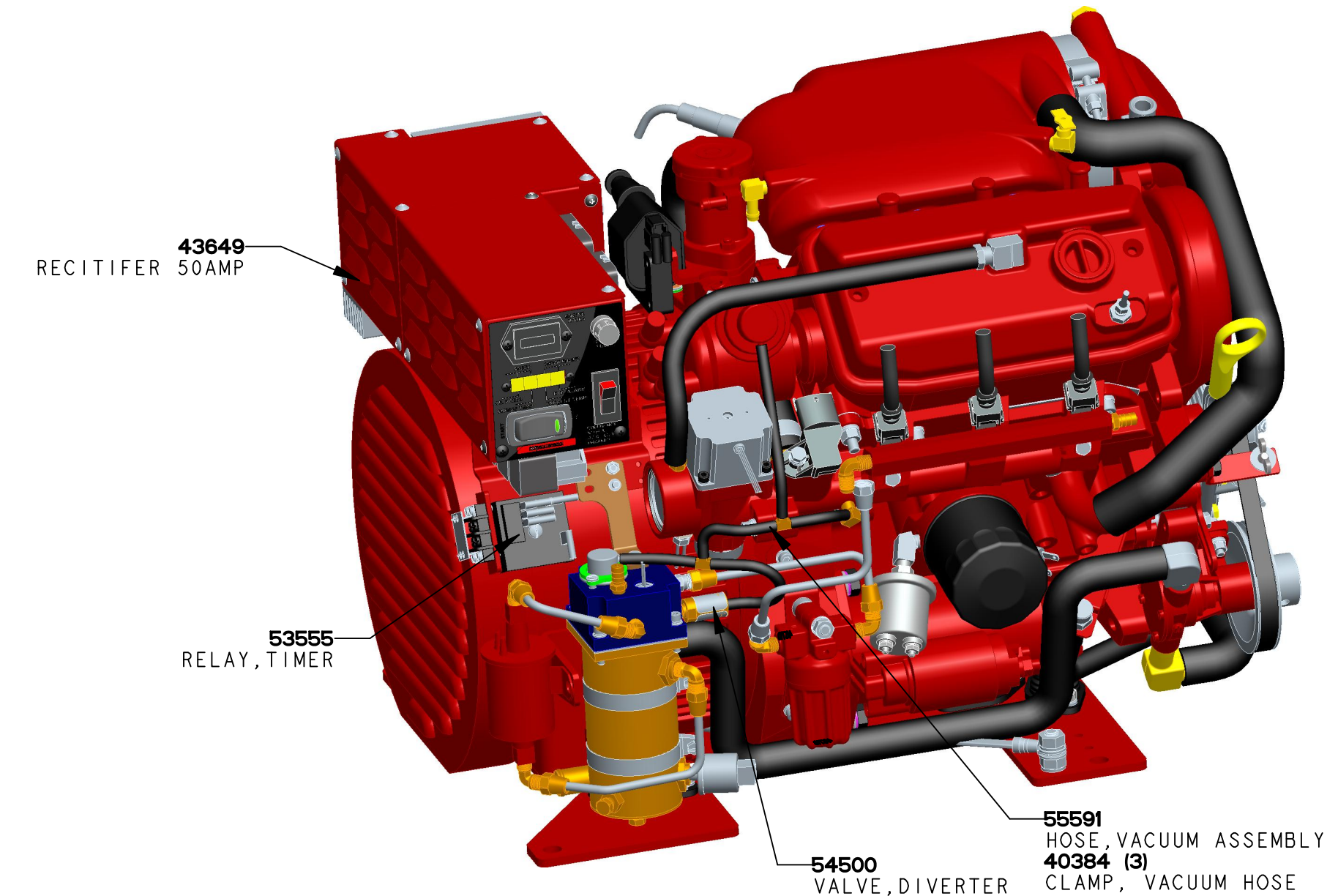
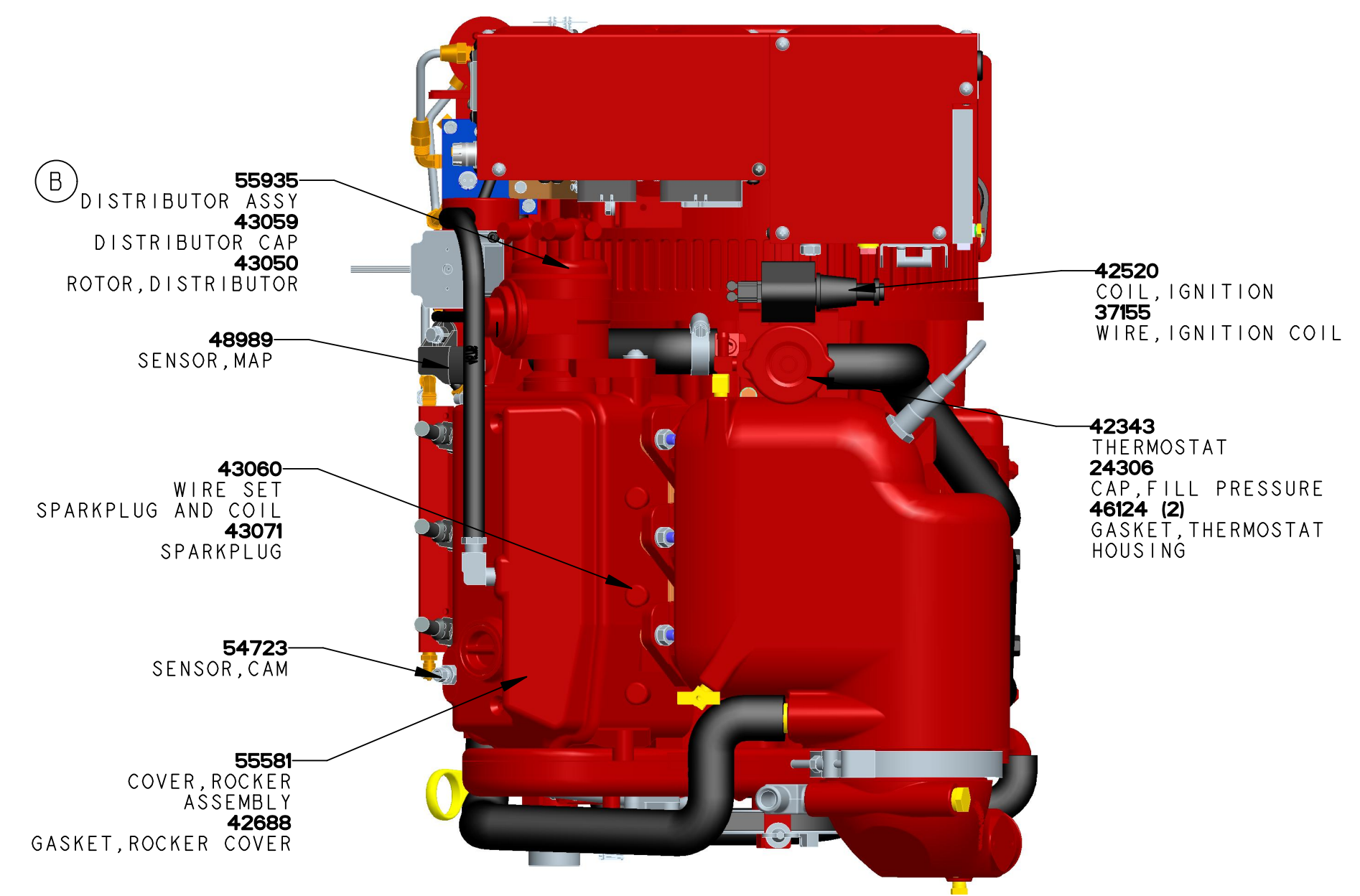


ECO NO.	DATE	REV.	REVISION RECORD	AUTH.	DR. BY
7010	6-6-2013	A	ADD COMPONENTS PART NO. IN DRAWING; CHANGE RAW WATER PUMP TO 55624. CHANGE WATER PUMP REPAIR KIT TO 55718.		GA
7078	7-8-2014	B	DISTRIBUTOR ASSY WAS 49709; WATER INJ ELBOW WAS 49818; O2 SENSOR WAS 49076. KIT B WAS 49301.		GA

P/N	DESCRIPTION
55541	HARNES, GENSET 5.0-6.5 MCG
52799	HARNES, BATTERY CHARGER
48792	FUSE 30A (DC)
55536	DGGENSET WIRE 5.0-6.5 MCG
55570	MANUAL, OPERATOR 5.0-6.5 MCG
55593	HOSE KIT 5.0-6.5 MCG
55621	GASKET SET, UPPER 5.0-6.5 MCG
55622	GASKET SET, COMPLETE 5.0-6.5 MCG
49300	KIT A 5.0-6.5 MCG
55933	KIT B 5.0-6.5 MCG
40078	REMOTE OIL FILTER
54928	REMOTE CONTROL PANEL



CONSULT MANUFACTURER FOR ECU INFORMATION. ENGINE SERIAL NUMBER IS REQUIRED FOR PART REPLACEMENT

TOLERANCES (UNLESS OTHERWISE NOTED)		WESTERBEKE	
INCHES	MILLIMETERS	TITLE	
.XX : .02	X. ± 1.0	PART LIST DRAWING	
.XXX : .005	.X ± .5	5.0-6.5 MCG	
CAST : .03	.XX ± .13	DRAWN BY	MATERIAL:
ANGLES: 5°		GA	30/Nov/12
FINISH: 3/8		APPROVED BY	DATE
		GA	---
DIMENSIONS		SCALE	SIZE
← INCHES →		0.250	D
← MILLIMETERS →		SHT. 1 OF 1	DRAWING NUMBER
(WHEN APPLICABLE)			55535
			REV.
			B